

120x210mm

# Sensor Bin

Instruction manual



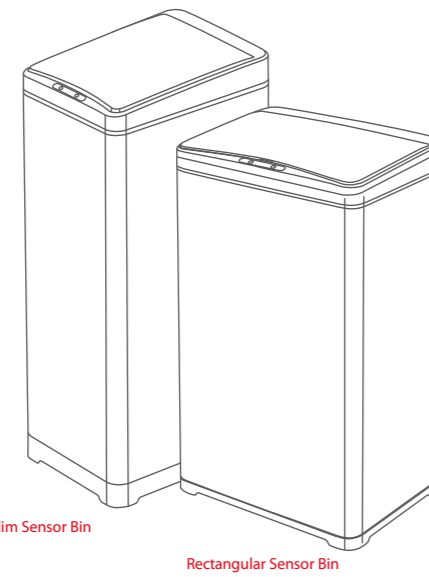
Auto sensor



Seal up



Touch switch

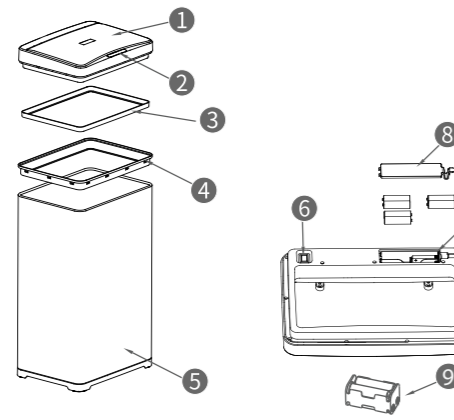


Slim Sensor Bin

Rectangular Sensor Bin

## PARTS LIST

- 1 Lid
- 2 Touch screen
- 3 Inner ring
- 4 Outer ring
- 5 Body
- 6 Switch ON/OFF
- 7 Battery compartments
- 8 Battery cover
- 9 Battery case  
*(Slim Sensor Bin only)*



### Product instructions

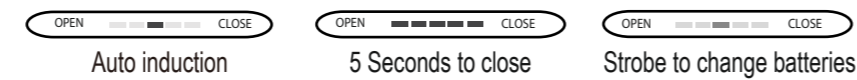
1. Take off the lid and inner ring.
2. Put garbage bag into the body and make the bag mouth around the outer ring.
3. Place inner ring on and put back the bag mouth into the body.
4. Press switch on "-" and place lid onto the body.

## OPERATING MODE

**Auto induction mode:** The lid will open automatically when you come within 10~25 cm area in front of the touch screen, If under 10cm, it will not sense.

**Delay closing mode:** When the auto sensor is on, in induction area, the lid will stay open. After the person or object leaves, the lid will automatically close after a 5 seconds countdown.

**Manual open mode:** Lightly touch the OPEN button, the lid opens at once and stays open. To close manually, lightly touch the CLOSE button, the sensor bin will revert to the auto induction mode. If not touch the CLOSE button, the lid will close automatically after 120s in manual open mode.



## MALFUNCTIONS AND SOLUTIONS

Malfunctions	Solutions
The lid fails to open	Check if the batteries are installed properly or if the batteries are in good contact with springs.
	Check if the switch is turned on.
	Leave the inductive area for 10 seconds and then try again.
The lid fails to close	Check if there is interferent in the inductive area.
	The circuit may be damp. Turn off the switch and put the lid in a ventilated place until it is dry then try again.
The lid opens very slowly	The batteries are running low, pls replace with new ones.
	Remarks: If the above solutions don't work, please consult local sales agency.

## ATTENTIONS

1. Please pay attention to the polarity when you install the batteries.
2. Place the product in a dry indoor environment. Do not use it in high-temperature (over 45°C) or humid environment.
3. To better protect the motor, please do not close or open the lid directly with other forces. Lid will be closed automatically after 5 seconds.
4. This product adopts 4~6pcs of alkaline AA batteries which can be used for 4 months in proper situation (this is testing data of 30 times to open and close a day in laboratory, it will be different from practical situation due to various condition and environment).
5. If batteries run out or left unused for a long time please take them out or replace new ones in time to prevent over discharge or leakage.
6. Please keep the product away from heat, hard light and wind to avoid the mistake to open automatically.
7. Please do not replace unauthorized components or repair it by yourself.